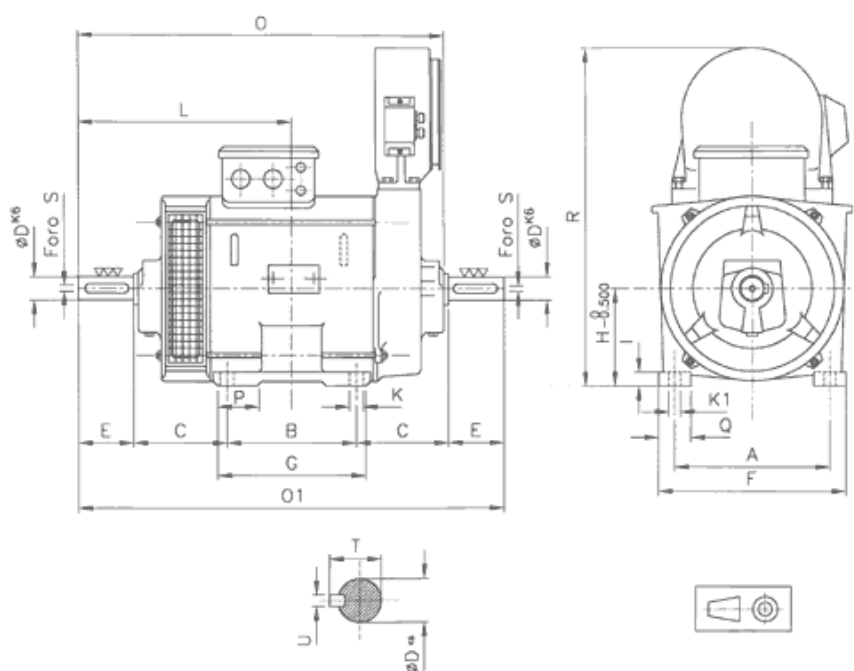


CAT 5 - IMB3

Serie Lines	VKM, MCV, MCR (180, 240 avv./ora- starts/hour)	Grandezza Frame sizes	132, 160, 200
Forma costruttiva Mounting shape	IMB3	Protezione Enclosure	IP21
Due cuscinetti a lubrificazione autonoma Two self lubricating sleeve bearings		Linguette secondo UNI 6604 Feather keys as specified in UNI 6604	

Ventilazione interna (IC 01) + ventilatore ausiliario
Internally cooled (IC 01) + forced ventilation

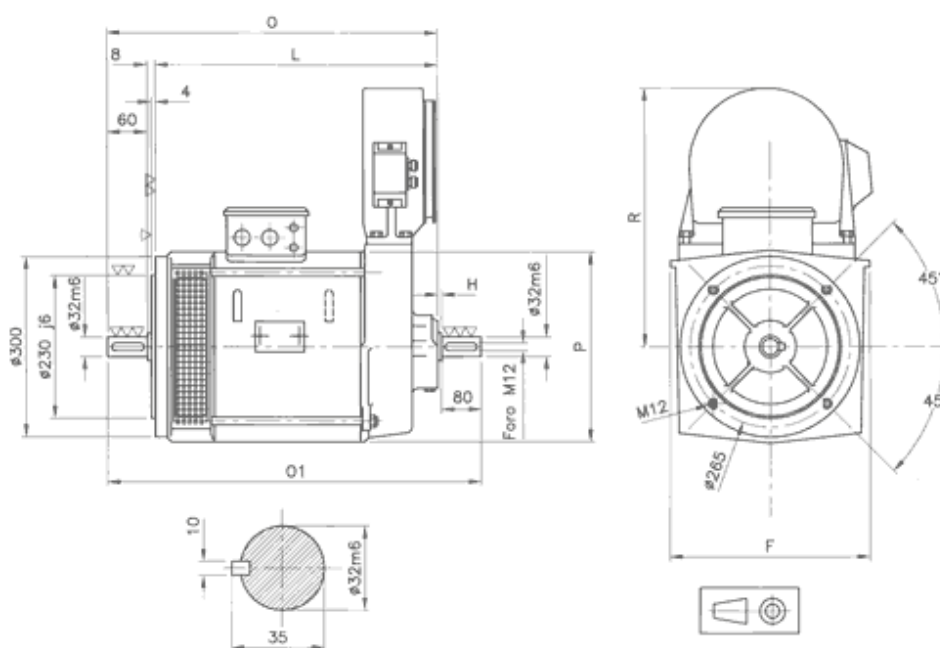


GRANDEZZA SIZE	A	B	C	F	G	H	I	L	O	O1	P	Q	R	K	K1	D	E	U	T	S
132.14	216	140	140	260	180	132	16	290	491	580	50	50	497	22	14	38	80	10	41	M12
132.20	216	140	140	260	180	132	16	290	491	580	50	50	497	22	14	38	80	10	41	M12
132.25	216	140	140	260	180	132	16	290	491	580	50	50	497	22	14	38	80	10	41	M12
132S	216	140	140	260	180	132	16	290	491	580	50	50	497	22	14	38	80	10	41	M12
132M	216	178	140	260	218	132	16	309	529	618	60	50	497	22	14	38	80	10	41	M12
132L	216	178	140	260	218	132	16	316.5	544	633	60	50	497	22	14	38	80	10	41	M12
160C	216	178	152	260	218	160	16	342	564	684	65	50	550	22	14	38	80	10	41	M16
160M	254	210	152	304	260	160	16	367	614	734	65	50	550	22	14	42	110	12	45	M16
160L	254	254	152	304	304	160	16	389	658	778	65	50	550	22	14	42	110	12	45	M16
200S	318	228	175	398	285	200	20	399	678	798	65	80	680	25	18	48	110	14	51.5	M16
200L	318	305	175	398	362	200	20	437.5	755	875	75	80	680	25	18	48	110	14	51.5	M16

CAT 7 - IMB9 - FL. Ø300

Serie Lines	VKM, MCV, MCR (180, 240 avv./ora- starts/hour)	Grandezza Frame sizes	132, 160, 200
Forma costruttiva Mounting shape	IMB9 FL. Ø300	Protezione Enclosure	IP21
Un cuscinetto a lubrificazione autonoma One self lubricating sleeve bearings		Linguette secondo UNI 6604 Feather keys as specified in UNI 6604	

Ventilazione interna (IC 01) + ventilatore
ausiliario
Internally cooled (IC 01) + forced
ventilation

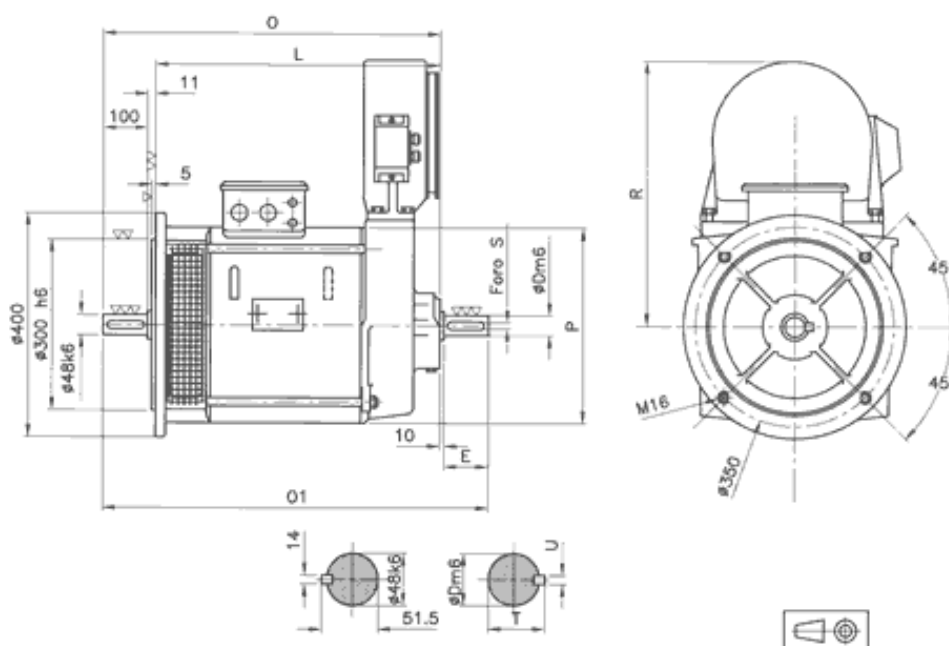


GRANDEZZA SIZE	H	L	O	Ø1	P	R	F
132.14	9	378.5	446.5	535.5	260	365	300
132.20	9	378.5	446.5	535.5	260	365	300
132.25	9	378.5	446.5	535.5	260	365	300
132S	9	378.5	446.5	535.5	260	365	300
132M	9	416.5	484.5	573.5	260	365	300
132L	9	431.5	499.5	588.5	260	365	300
160C	10	425.5	493.5	583.5	313	390	336
160M	10	475.5	543.5	633.54	313	390	336
160L	10	519.5	587.5	677.5	313	390	336
200S	10	535.5	603.5	693.5	372	480	400

CAT 3 - IMB9 - FL. Ø400

Serie Lines	VKM, MCV, MCR (180, 240 avv./ora- starts/hour)	Grandezza Frame sizes	132, 160, 200
Forma costruttiva Mounting shape	IMB9 FL. Ø400	Protezione Enclosure	IP21
Un cuscinetto a lubrificazione autonoma One sleeve bearing self lubricating		Linguette secondo UNI 6604 Feather keys as specified in UNI 6604	

Ventilazione interna (IC 01) + ventilatore
ausiliario
Internally cooled + forced ventilation



GRANDEZZA SIZE	L	O	O1	P	R	E	D	U	T	S
132S	395.5	506.5	595.5	260	365	80	32	10	35	M12
132M	433.5	544.5	633.5	260	365	80	32	10	35	M12
132L	448.5	559.5	648.5	260	365	80	32	10	35	M12
160C	425.5	536.5	656.5	313	390	110	42	12	45	M16
160M	475.5	586.5	706.5	313	390	110	42	12	45	M16
160L	519.5	630.5	750.5	313	390	110	42	12	45	M16
200S	552.5	663.5	783.5	372	480	110	42	12	45	M16
200L	629.5	740.5	860.5	372	480	110	42	12	45	M16